

seQrell™

seQrell SQ7024B

## **User Manual**



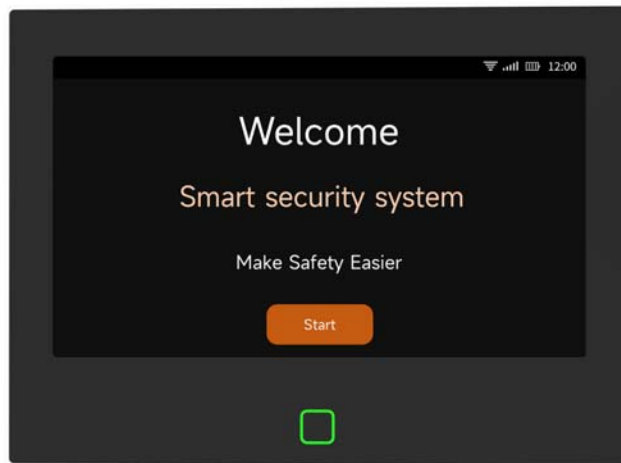
# CONTENT

I.	General Description.....	1
1.1	Product Example.....	1
II.	Set up Smart Life APP.....	2
2.1	Download APP - Smart Life.....	2
2.2	Connect Panel to Smart Life APP.....	2
2.3	Settings on APP.....	6
III.	Set up the Security Devices.....	8
3.1	Main Module.....	8
3.2	Transmitters.....	12
3.3	Entry Sensor (doors and windows).....	13
3.4	PIR Motion Sensor.....	15
3.5	Water Leak Sensor.....	17
3.6	SOS Button.....	18
3.7	Additional Sensors.....	19
3.8	Wireless Siren.....	19
IV.	Learn to Use the Security Panel.....	20
4.1	Main Interface.....	20
4.2	Menu Introduction.....	21
4.2.1	CONNECTION---Accessory.....	21
4.2.2	Phone.....	23
4.2.3	Security.....	25
4.2.4	Settings.....	26
V.	Troubleshooting and Maintenance.....	27
VI.	Hazardous Substance Declaration.....	28
VII.	Warranty Rules.....	28



# I. General Description

## 1.1 Product Example



### Main Unit

The central hub of the security system.

This 7-inch security panel has multiple upgrades: 1024X600PX high-definition IPS screen, built-in 5000mAH lithium battery. Built-in louder siren and buzzer, up to 120dB. Added 12V/1A, Type-C 5V/2A charging port. 8 wired sensor zones, suitable for families with pre-installed embedded lines. It also connects all your accessories to the app, so you can control your home from anywhere.

### Accessories:



- 1x Main Unit**
- 2x Transmitters**
- 10x Entry Sensors**
- 3x PIR Motion Sensors**
- 1x Water Leak Sensor**
- 1x SOS Button**
- 1x AC to USB-B Adapter with USB-C cable**
- 1x Wireless Siren**
- 1x Wireless Siren Adapter**
- 1x Mounting Kit and Screwdriver**
- 1x Quick Start Guide**

## **II. Set up Smart Life APP**

### **2.1 Download APP - Smart Life**

**Note:**

Turn on the Main Module, choose a language, and scan the QR code on the panel to download;  
Users can also search "Smart Life" in major global APP stores or scan the QR code below to download.



**Apple APP Store**



**Google Play Store**

- (1) iOS users, please scan the Apple APP QR code.
- (2) Android users, please scan the QR code of Google Play to download.
- (3) After downloading the APP, please enable all usage permissions for the APP in the phone settings.
- (4) Sign up or Log in to your APP account.

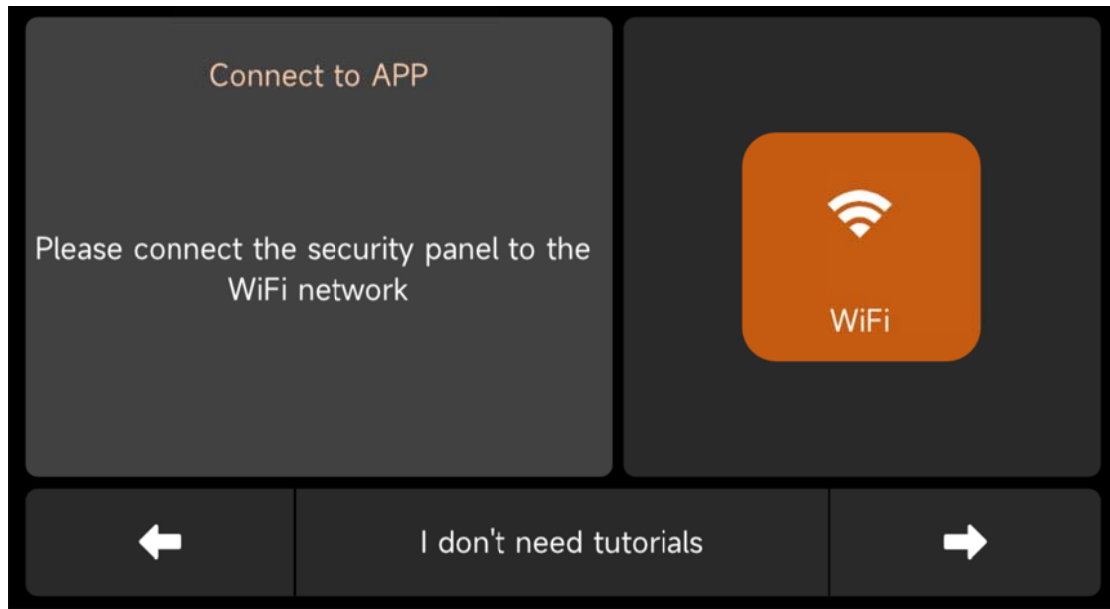
### **2.2 Connect Panel to Smart Life APP**

**Note:**

- (1) This Main Module only supports **2.4GHz WiFi** networks only. Make sure your router is set up correctly and can connect to the Internet.
- (2) When adding the security panel to the Smart Life APP, please turn on the mobile phone **WiFi and Bluetooth**, and confirm that the mobile phone is connected to the 2.4GHz frequency band.

**Steps:**

- (1) For first-time use, please connect the security panel to the power supply, and turn the backup battery switch on the back of the panel to the "ON" position, then enter the operation guide interface.  
If you have entered the main interface or want to reset the WiFi, please click "Connection"---"WiFi", and enter the default user code: 1234.



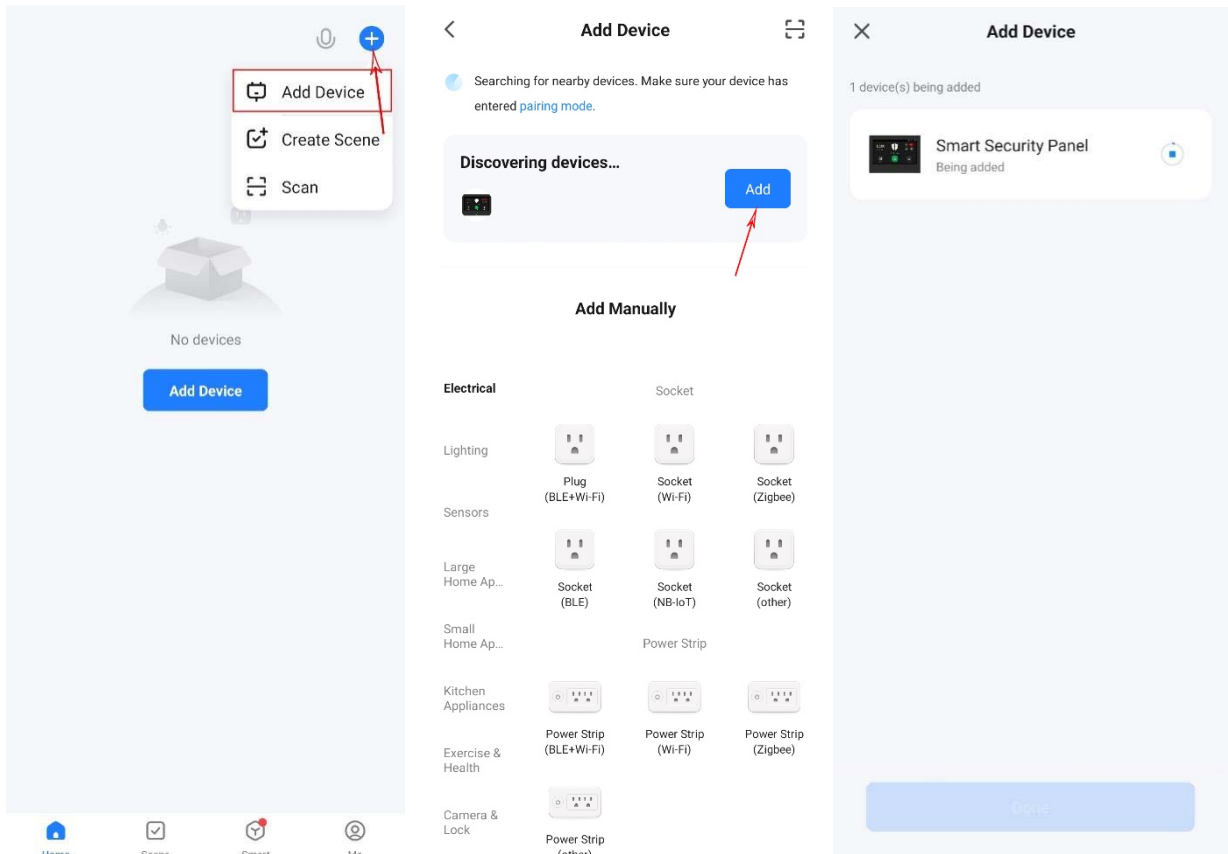
**Operation Guide Interface -- Press WiFi Icon**

- (2) Press "Airlink" to enter the WiFi pairing mode.

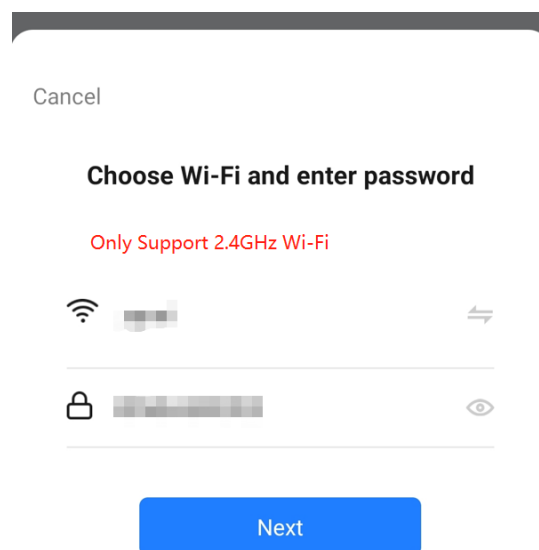


(3) **On the APP:** Open the "Smart Life" APP and enter the "Home" interface.

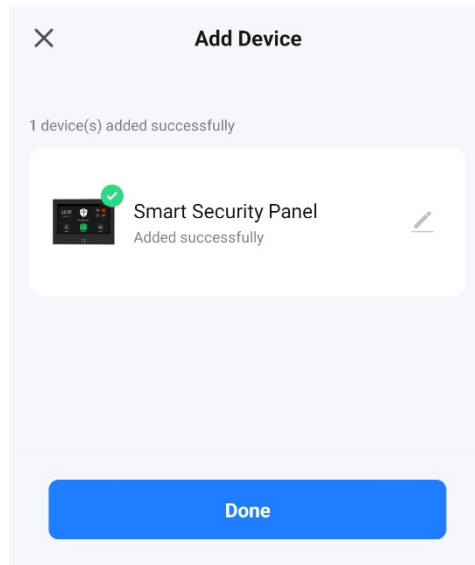
- A. Click the "+" on the upper right corner of the interface and select "Add Device".
- B. Press "Add" on the discovering device's area.



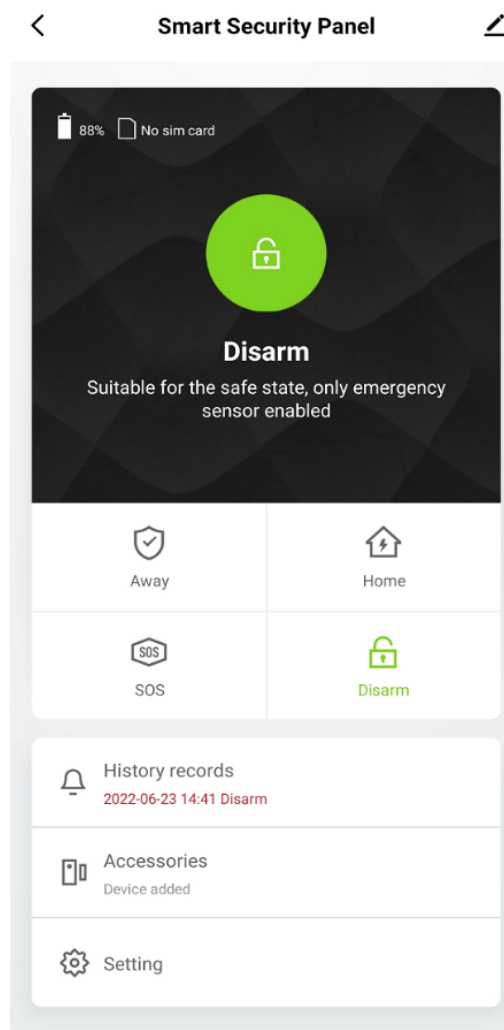
C. Input the 2.4Ghz WiFi name and password, and click "Next".



D. Paired successfully



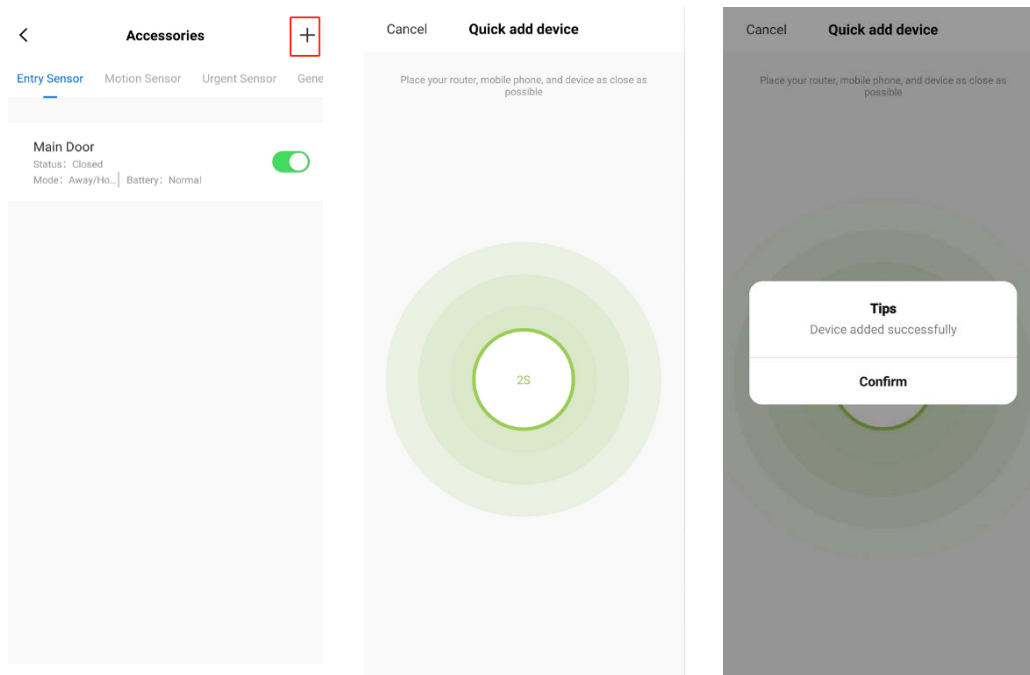
(4) You can remote control the alarm system on the APP.



## 2.3 Settings on APP

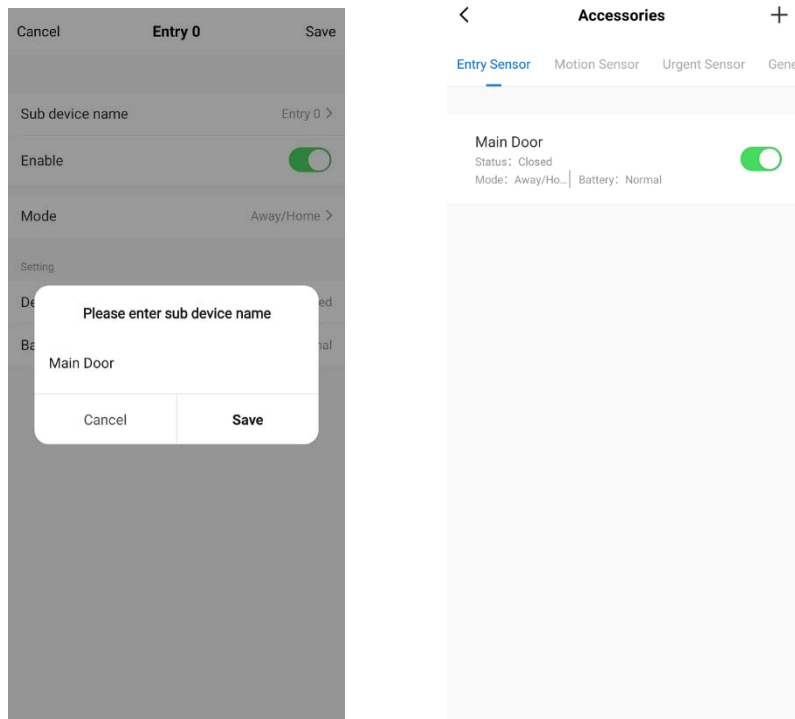
### 2.3.1 Add Device

Click Accessories, press “+”, and then trigger the accessory to complete the pairing.



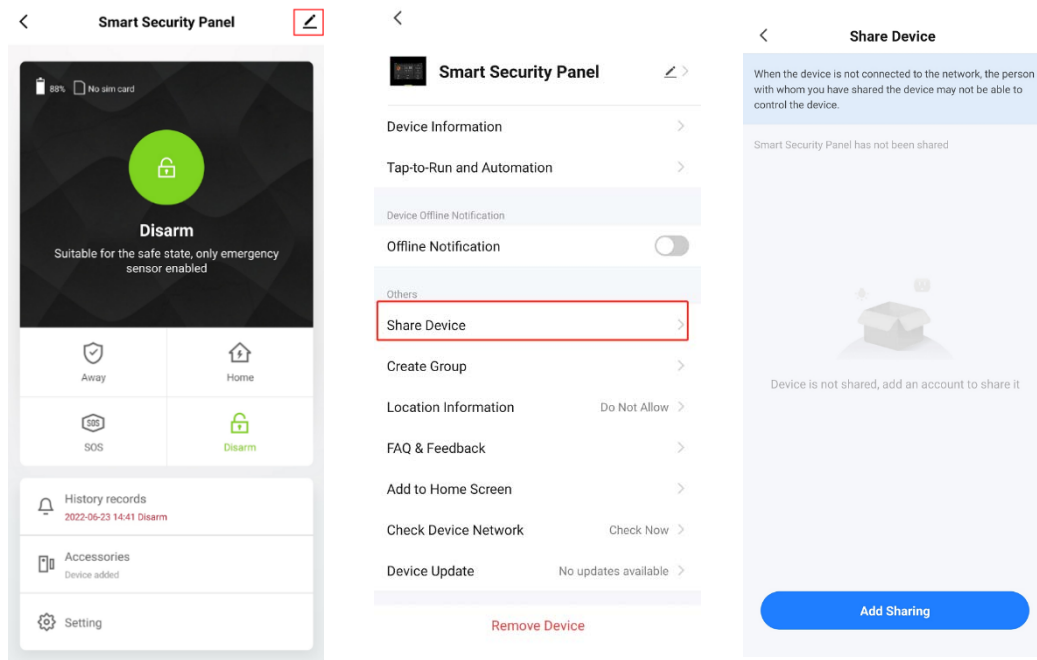
### 2.3.2 Rename Device

Accessory names can only be renamed on the APP, just press “Sub device name” to edit the name.



### 2.3.3 Share Device

A security panel can only be paired with one APP account, but you can share it with multiple family members to manage together.



### 2.3.4 Other Settings

Press Setting, and can directly modify the settings in the security panel on the APP.

Through the APP, you can remotely control the security panel. You can also set the arm and disarm time, which is simple and convenient.

### III. Set up the Security Devices

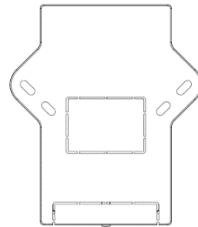
#### 3.1 Main Module

##### 3.1.1 Installation Diagram

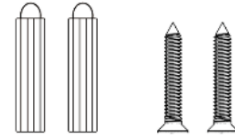
###### (1) Wall Mount



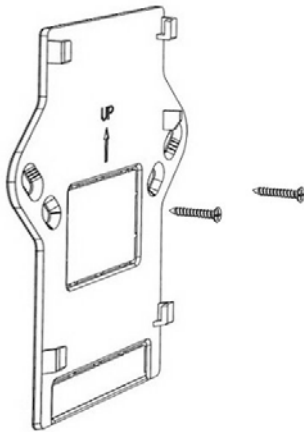
Main Module ×1



Wall Hanging Plate ×1

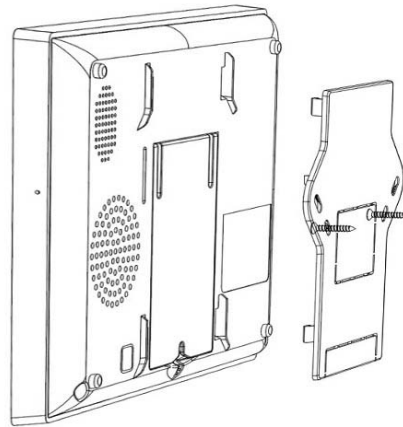


Screws ×2



1. Install the hanging plate on the wall with screws.

**Note:** The screws must be all nailed to the wall, and the hanging board must be parallel.



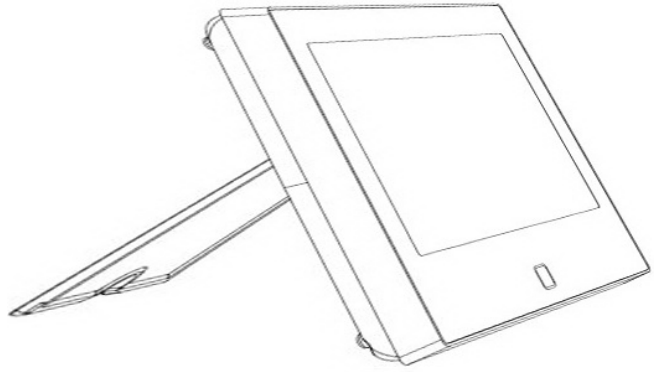
2. Align the hole on the back of the module with the hanging plate and install it.

**Note:** For concealed wire installation, please remove the bracket and cable clip.

(2) **Placed on the Desktop**

**Comes with a Stand on the Back**

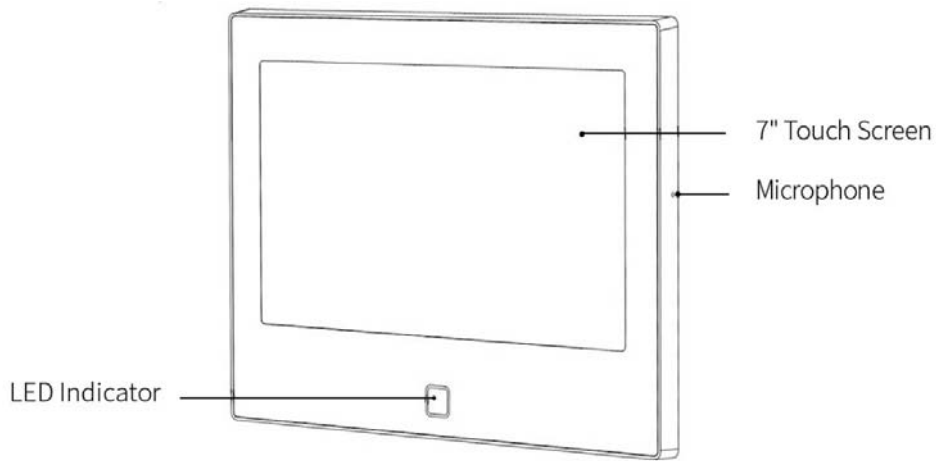
It can be directly placed on the desktop, free from the installation of holes on the wall, and can be placed anywhere in the home.



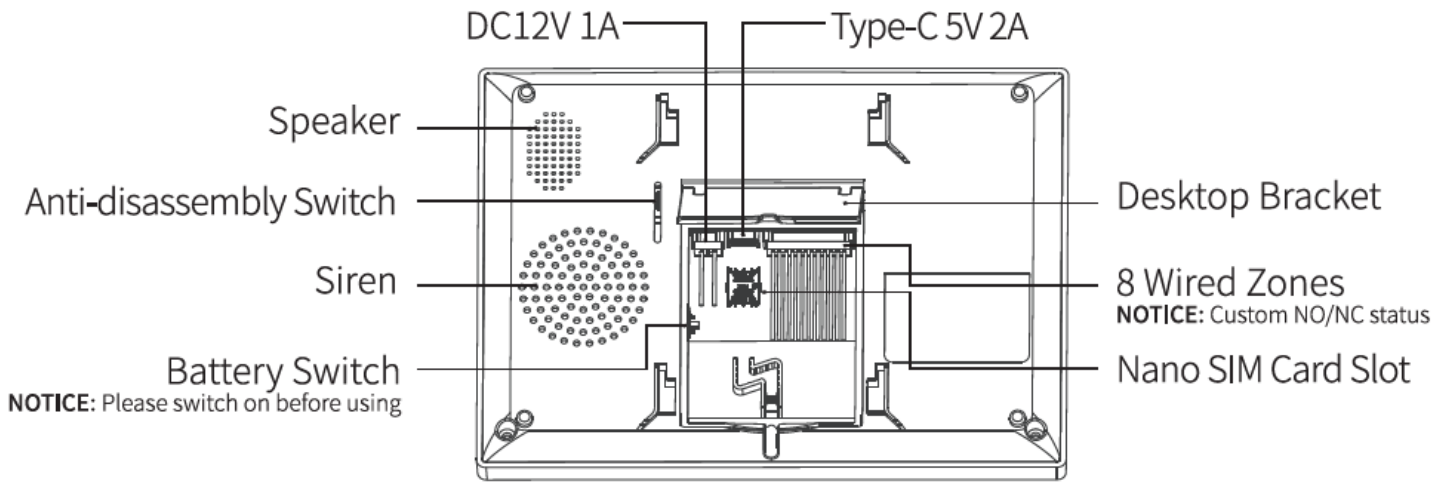
**Note:**

- 1) Installed in the center of the home to facilitate signal reception and transmission.
- 2) Install it closer to the WiFi router.
- 3) Avoid installing all devices on metal surfaces, as well as on load-bearing walls.

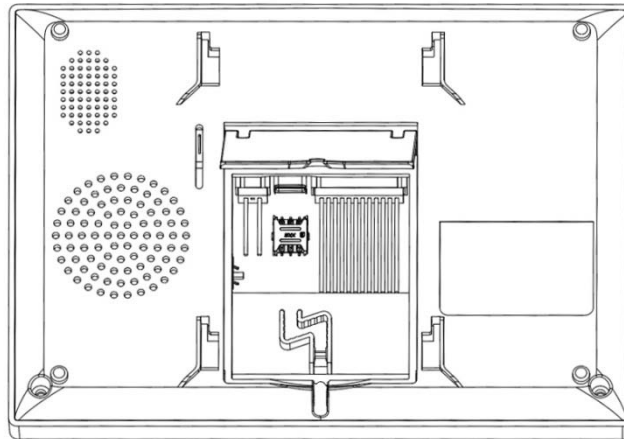
3.1.2 Appearance Design



Front View

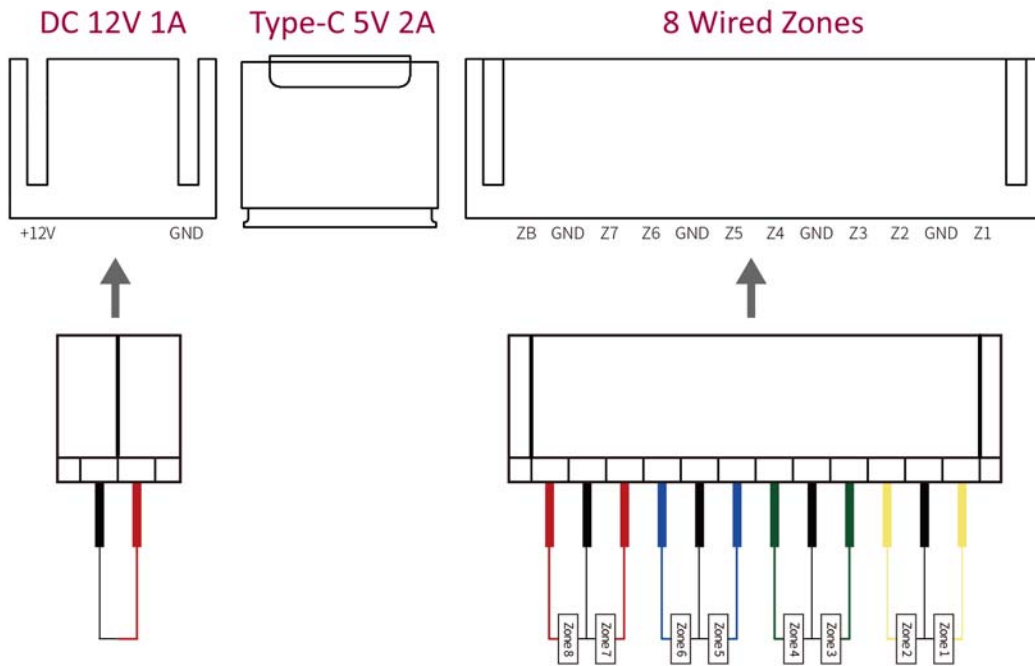


Rear View



Rear Main View

### 3.1.3 Wiring Diagram



**Note:** Power interface: 12V/1A and 5V/2A USB-C port, please use only one interface, do not connect and use together.

### 3.1.4 Indicator:

Color	Panel status	Flashing	Panel status
Red	Alarming	Yellow/Green	Delay Arming
Yellow	Armed	Red/Green	Delay Alarming
Green	Disarmed		

### 3.1.5 Alarm Modes

#### A. Main Module Alarm Modes

- a. **Away:** The Main Module is in a monitoring state, when the accessories are triggered, the security panel will alarm.
- b. **Home:** When the user is at home, in this mode, some areas can be monitored and alarms.
- c. **Disarm:** The security panel cancels the monitoring state, and only the SOS button or the accessories set to "Always" mode can trigger the alarm.

#### B. Accessories Modes:

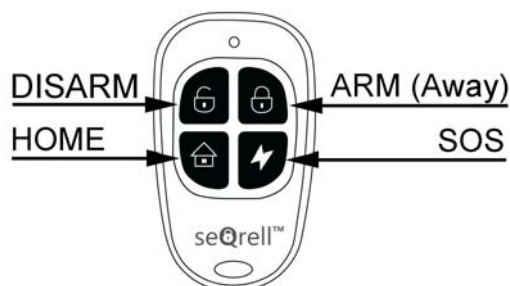
- a. **Away/Home:** When the Main Module is in the "Away" or "Home" state, the panel will alarm after the sensor is triggered. It is recommended that the outdoor sensor can be set to this mode.
- b. **Away:** When the Main Module is in the "Away" state, the panel will alarm after the sensor is triggered. It is recommended that the outdoor detector can be set to this mode.
- c. **Always:** Regardless of the state of the Main Module, any time the sensor is triggered, the panel will alarm. It is recommended to set this mode for gas leaks or smoke detectors, etc.
- d. **Disabled:** The security panel will not respond to the alarm request of the sensor set in this mode.

**Note:**  
You can choose which sensors are armed in Home and Away mode, or both, or always active. For example, if you want to avoid triggering the alarm when you are at home, you can set the specific sensor in Away mode. Then when you set the panel in "Home" state, the alarm will not be triggered, only in "Away" state, the alarm will be triggered.

## 3.2 Transmitters

### 3.2.1 Introduction

There are 2 the same transmitters included to the set.



**Note:**  
If to operate the Alarm system you use transmitters only, you can switch off the delays of all the sensors to start the alarm immediately in case of the sensors activation. Delays are needed to allow Pin code dial before Alarm starts.

### 3.2.2 Transmitters Learning

On the Main Module:

- A. On the Main interface → Connection → Enter User Code (Default: 1234).
- B. Press Controller
- C. Press “ + ”, then trigger the controller (Press any key).
- D. Paired successfully, rename the controller on the APP.

### 3.2.3 Batteries replacement

Each transmitter uses 2 batteries CR2016. Slide rear cover down → replace the batteries

## 3.3 Entry Sensor (doors and windows)

### 3.3.1 Learning

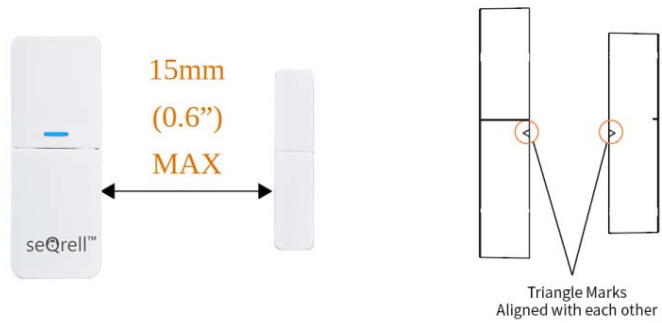
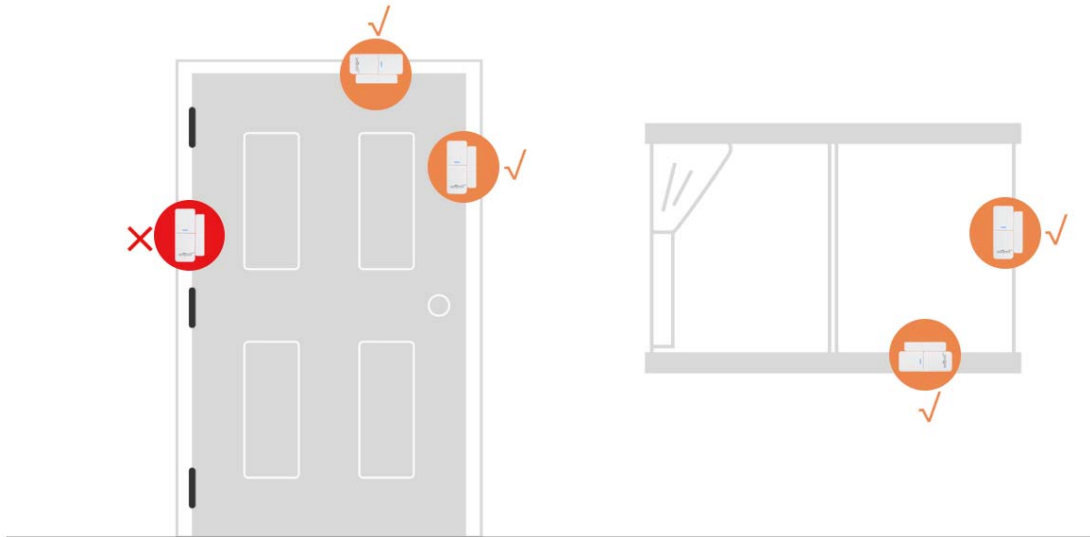
On the Main Module:

- A. On the Main interface → Connection → Enter User Code (Default: 1234).
- B. Press Sensor → “+” → GENERAL, then set the Mode, Delay, and Advanced settings.
- C. Press “+ Pair”, then trigger the Entry sensor (Just separate the two parts).
- D. Paired successfully, rename the sensors on the APP.

### 3.3.2 Installation

The entry sensor should be installed on the door or window (see image).

- A. First, wipe the area on the door or window clean and apply double-sided pad to the bottom.
- B. The door sensor transmitter (large) and the door sensor magnet (small) should be installed separately. The **triangle marks** on the transmitter and the magnet should be facing each other, and the distance between the two is less than 15mm (0.6”).
- C. When the door or window is opened after installation, the indicator light will be on for 2 seconds to indicate that the installation is complete.



### 3.3.3 Battery Replacement

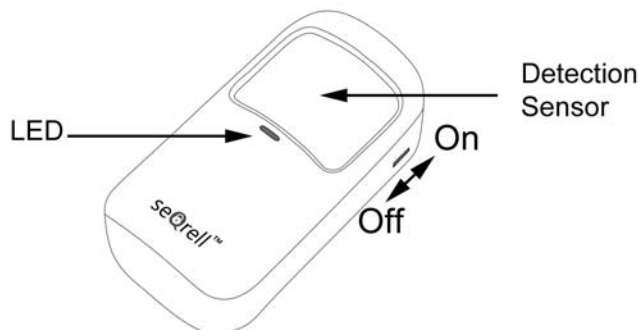
Battery specification: 1x 23A Alkaline

To open slide the battery cover down



## 3.4 PIR Motion Sensor

### 3.4.1 Introduction



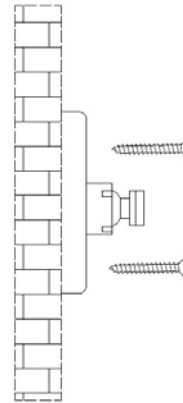
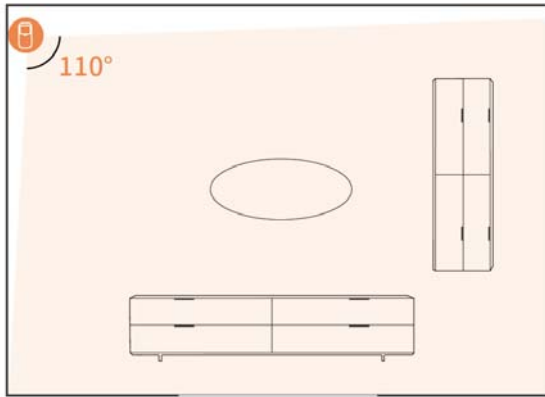
### 3.4.2 Learning

On the Main Module:

- A. On the Main interface → Connection → Enter User Code (Default: 1234).
- B. Press Sensor → “+” → Motion, then set the Mode, Delay, and Advanced settings.
- C. Press “+ Pair”, then trigger the Motion sensor (Just wave your hands until the light is on).
- D. Paired successfully, rename the sensors on the APP.

### 3.4.3 Installation

- A. The recommended installation height is 2.0~2.2m (79”-87”) above the floor.
- B. Install it in a corner or on a flat wall, with no obstacles or blind spots.
- C. It should not be directly facing the cold and hot vents or cold and hot sources.
- D. Don’t install PIR Motion sensor outdoors and on the glass.
- E. PIR Motion Sensor can’t detect motion through the glass, like if someone’s moving outside a window.
- F. Don’t install in places where PIR Motion Sensor could get wet, like swing-out windows that could be rained on.
- G. Don’t install PIR Motion Sensor within 3 feet (1 meter) of a heat source like an electric heater, heat vent or fireplace or another source that may produce turbulent air and/or above any heat appliances.



- Steps:**
- 1) Screw the base to the wall
  - 2) Hang the motion sensor on the rotating shaft

### 3.4.4 Set Up and Batteries replacement

In order to get an access to the batteries and switches remove rear cover.

Use PH1 screwdriver from the set.

Loosen the screw, press the latch on top and remove the cover.

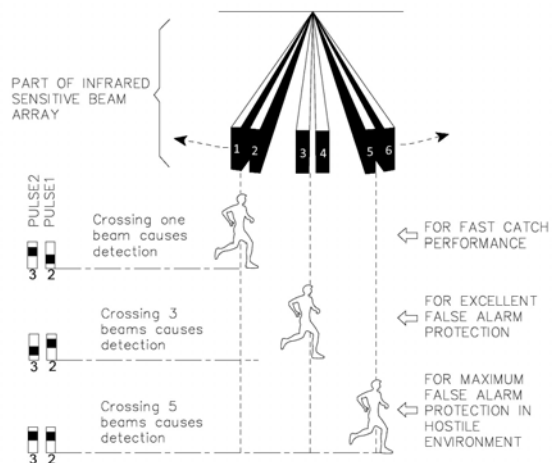
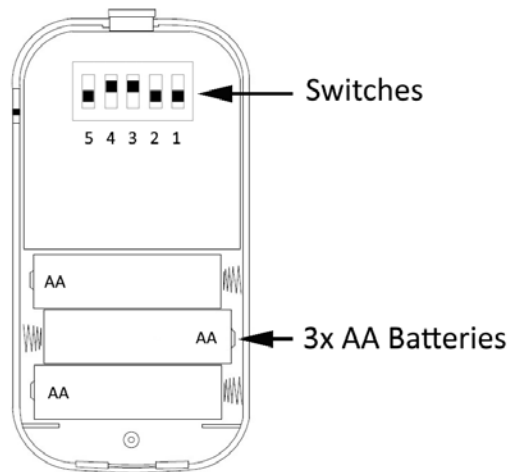
Each PIR Sensor uses 3x AAA batteries, Alkaline.

There are 5 switches with numeric from right to left.

#1 – LED On-Off.

#2, #3 – to adjust sensitivity of the sensor.

#4, #5 – to choose between Test mode and Power Saving mode.



- Test Mode for Walking Test
- Power Saving Mode After Walking test is done

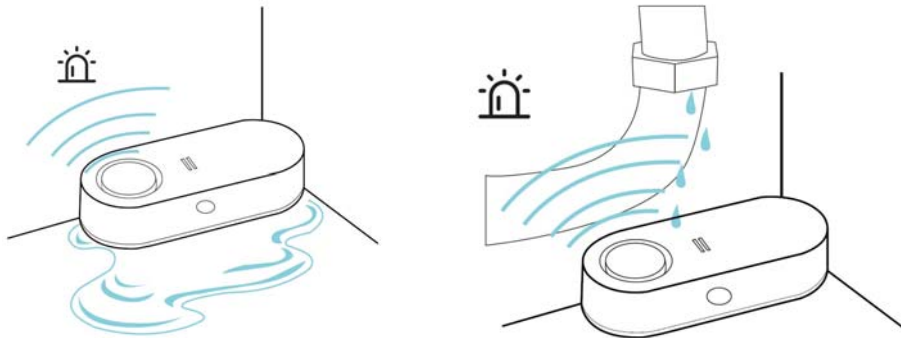
**Note:**

For the pets owners:  
To avoid false alarms, do not choose maximum sensitivity.

## 3.5 Water Leak Sensor

### 3.5.1 Introduction

The sensor detects water from both up and down sides:



Note:

The Sensor works in Horizontal position only.

The sensor has 90db internal Siren for the independent Alarm and alerts and an LED for LOW BATTERY warning:



### 3.5.2 Water leak detecting

In case of water detecting Alarm starts immediately.

Press the side button to stop Alarm for 5 sec and wipe to stop Alarm completely.



### 3.5.3 Learning

On the Main Module:

- A. On the Main interface → Connection → Enter User Code (Default: 1234).
- B. Press “Urgent”.
- C. Press “+”, then press the side button of the sensor.
- D. Paired successfully, rename the sensors on the APP.

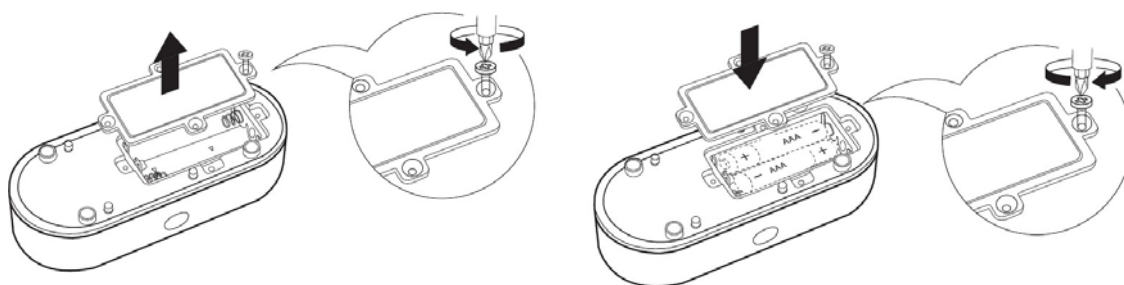
### 3.5.4 Batteries replacement

The Sensor uses 2x AA batteries, Alkaline.

Use PH1 screwdriver from the set, Loosen 4 screws to get an access to the batteries.

Note:

When tightening the screws, do not apply too much force.



## 3.6 SOS Button

### 3.6.1 Introduction



You have three independent ways to start Alarm and to alert your Phone numbers:

To tap SOS icon on the Main Unit screen, SOS buttons of the transmitters and The Independent SOS Button.

The Independent SOS button is more powerful than regular transmitter and works with higher range, it is striking, noticeable and easy to press as well.

Note:

After installation of the Main Module test your SOS button around to understand the real range.

### 3.6.2 Batteries replacement

In order to replace the batteries unscrew rear cover. Use PH0 screwdriver (not included to the set).  
Prepare 3x CR2016 Lithium batteries

### 3.6.3 Learning

On the Main Module:

- E. On the Main interface → Connection → Enter User Code (Default: 1234).
  - F. Press “Urgent”.
  - G. Press “+”, then press the side button of the sensor.
- Paired successfully, rename the sensors on the APP.

### 3.7 Additional sensors

The set can learn 160 different sensors. All the seQrell sensors are compatible, many third party TUYA devices are compatible as well. seQrell may not know which one third party sensor or smart device will be working with the set.

You can try yourselves.

### 3.8 Wireless siren



Note:  
The siren is INDOOR only.

#### 3.8.1 Learning

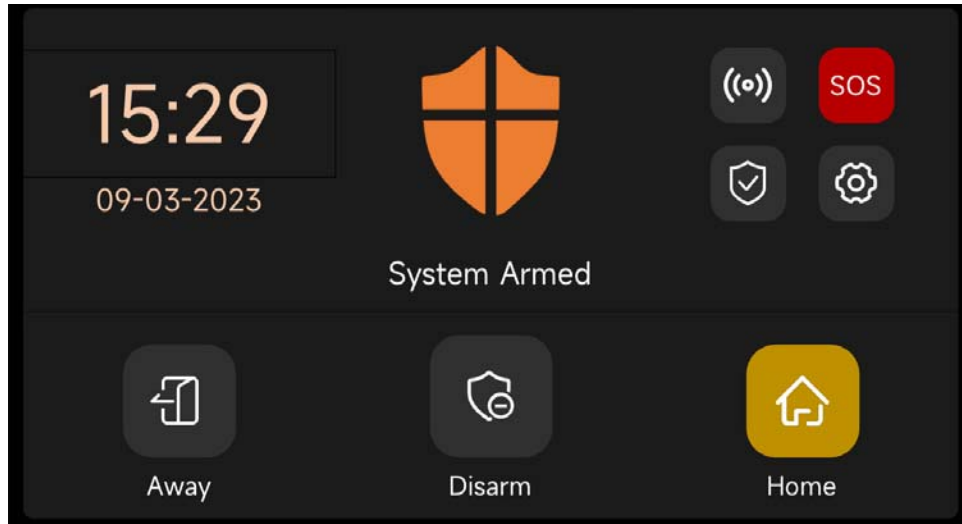
**Before you begin: turn off all motion detectors using the switches on the back to avoid direct pairing between the detector and the siren..** Use the removal pin for the siren hole.

On the Main Module:

- H. On the Main interface → Connection → Enter User Code (Default: 1234).
- I. Press “Siren”.
- J. Press the siren side button using the pin for 5 sec to clean the siren memory, you will hear a Beep.
- K. Press “+” on the screen, then quickly press the siren button by the pin for 1 sec, you will hear a chirp.

## IV. Learn to Use the Main Unit

### 4.1 Main Interface



#### 4.1.1 System Status

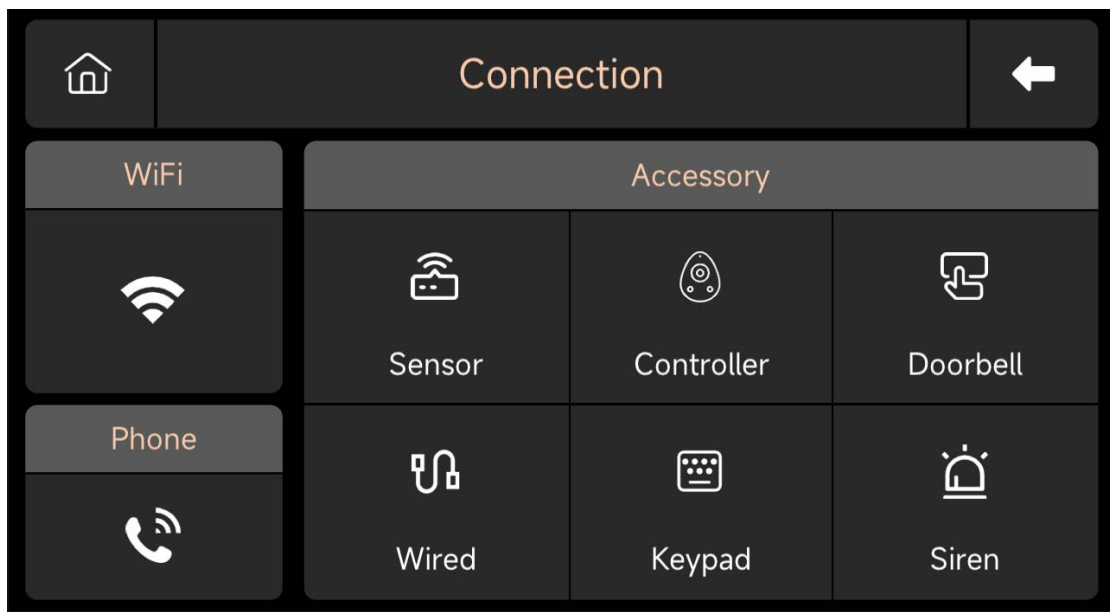
<b>Icon</b>					
Status	The system is in alarm state	The system is armed	The system is disarmed	Accessories low battery	Door/Window opened
Function	<b>Log Button:</b> Click the icon to check the Alarm Log and Arm Log <b>Note:</b> Support up to 160 Alarm records and 80 Arm and disarm records.			Press the icon to check the accessories	Press the icon to check the Entry Sensor

<b>Icon</b>				<b>SOS</b>
Description	<b>Connection</b>	<b>Security</b>	<b>Settings</b>	Press <b>1.5s</b> to trigger the alarm

## 4.2 Menu Introduction

### 4.2.1 CONNECTION----Accessory

#### A. Interface

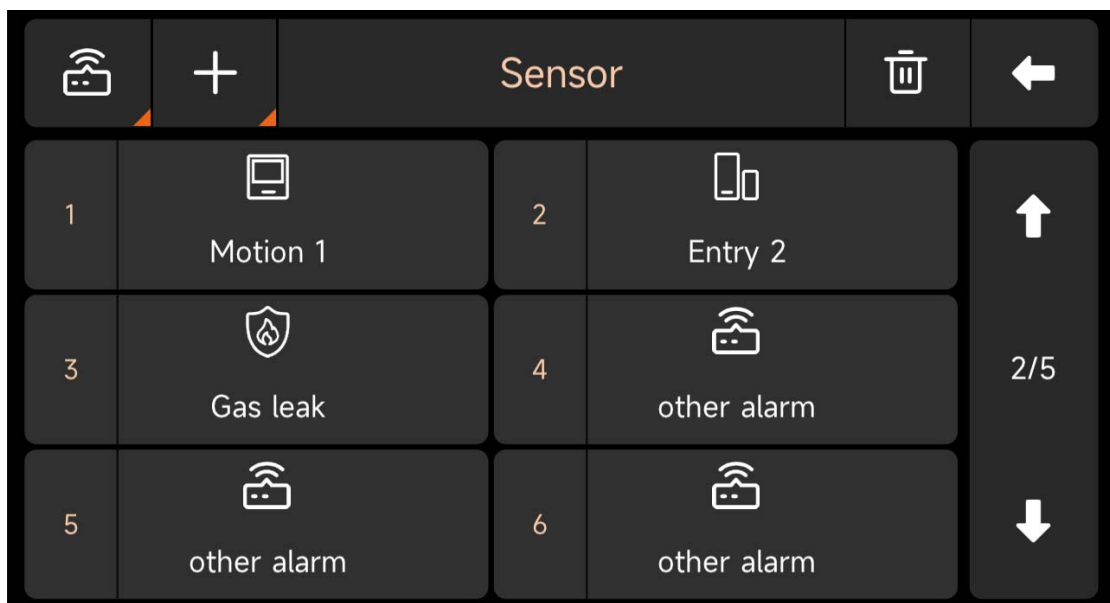


#### B. Wireless Sensor

Motion: Manage all the Motion sensors.

Urgent: Emergency detectors such as SOS buttons, gas detectors, and smoke detectors

General: Door/window sensors, other sensors or detectors, please add them here.

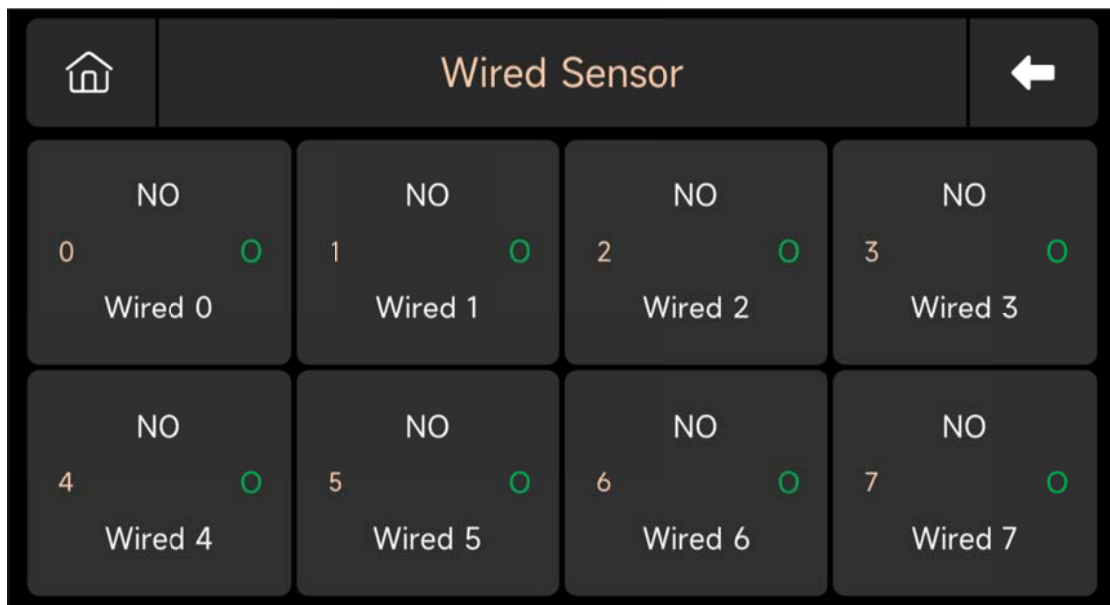


- C. Transmitter: Manage all the Remote controls
- D. Doorbell: Manage all the Doorbells
- E. Keypad: Manage all the Keypads
- F. Siren: Press it to pair the Wireless Siren

**Note:**

- 1) The security system supports the accessories with 433MHz, ev1527.
- 2) For the Entry sensors from another brand, please add it to “General”
- 3) Support up to 160 Sensors, 6 Transmitters, 6 Doorbells, 6 Keypads.

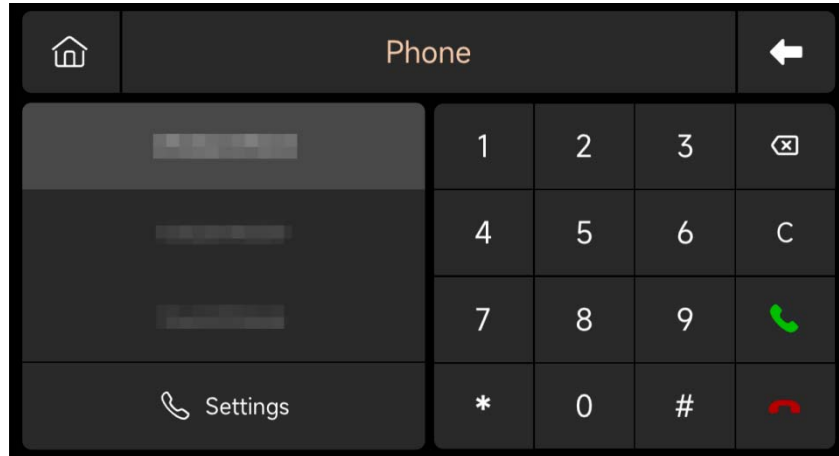
**G. Wired Sensor**



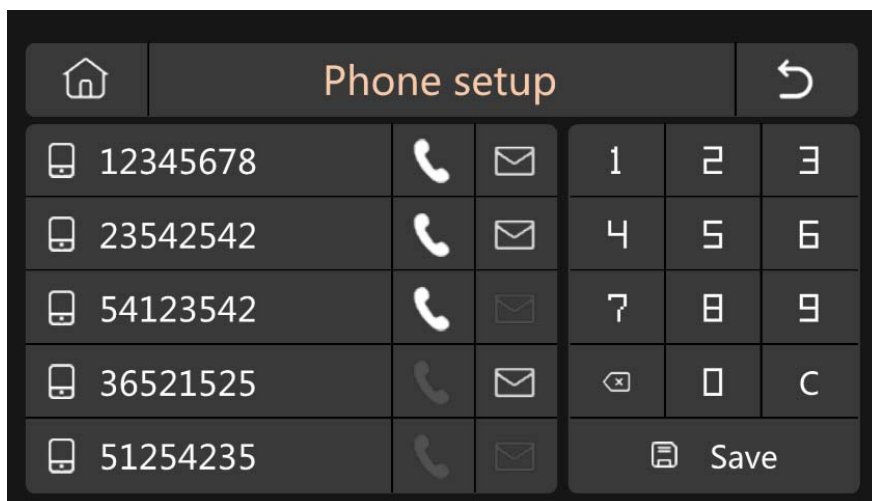
- 1) 8 Wired Zone: From Wired 0 to Wired 7
- 2) Wire Mode: NO/NC status can be customized
- 3) **O/C** means Normal state; **O/C** means abnormal state
- 4) About the wire: Black wires indicate 4 COM terminals, and Other Colored wires connect 8 wired sensors;

## 4.2.2 Phone

### (1) Phone Dial Interface



### (2) Emergency Number



### Setup Example

Please light up the corresponding **Phone/SMS icon** according to your needs

- 1) **Phone Number Format:** If the phone number cannot be successfully dialed or texted, please try adding the area code before the number: 00XX, 0XX.

- 2) **SMS/Phone Alarm Rules:** After the alarm is triggered, the security panel will send SMS messages in the order of the set numbers. After the text message is sent, the call will start from the first phone number. When the first number is dialed three times in a row and no answer, the second phone number will be dialed, and so on. If one of the phone numbers is answered, subsequent phone numbers will not be dialed.
  
- 3) **SIM Card Unlock:** The SIM card requires a PIN code, and the carrier usually sets the PIN code to something like 1234 or 0000. You need to disable it on the phone first. Please use your smartphone following to the Instructions to your smartphone model and operating system,

(3) Arm/Disarm Panel by SMS Command.

(Firmware version should be 1.0.20 or above)

The SMS commands and panel actions were taken are as below:

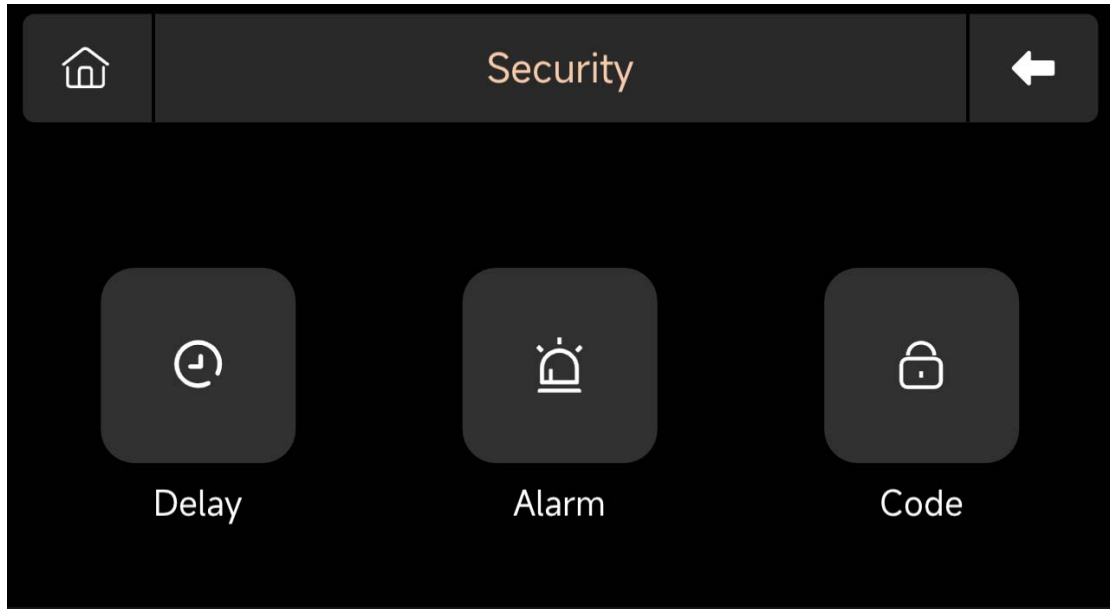
No.	SMS Command	Action Taken by the Panel	Replied SMS
1	away arm	The Main Module will be in "Away" mode	System armed!
2	stay arm	The Main Module will be in "Home" mode	System armed!
3	disarm	The Main Module will be in "Disarm" mode	System disarmed!

The panel will reply message to confirm the command is executed successfully.

**NOTE:** The panel only accepts SMS commands from the **phone number set in the panel**. (Menu-->Phone-->Settings), the SMS commands sent by other mobile numbers will be not recognized and no action will be taken.

## 4.2.3 Security

### (1) Interface



(2) Delay: Customize the countdown time when Alarm or Arming.

(3) Code:

- 1) User Code: Default user code is **1234**.
- 2) System Code: Default system code is **9876**.
- 3) Obfuscated Code: When entering the code, you can enter **5 to 8 digits** of the obfuscated code, as long as it contains the correct 4 digits in succession, it can be recognized as the correct code.
- 4) Password Validity Period: After selecting, you do not need to enter the password again **within 2 minutes** when the screen is on.

(4) Alarm:

Local Alarm: Select whether the panel emits an alarm sound.

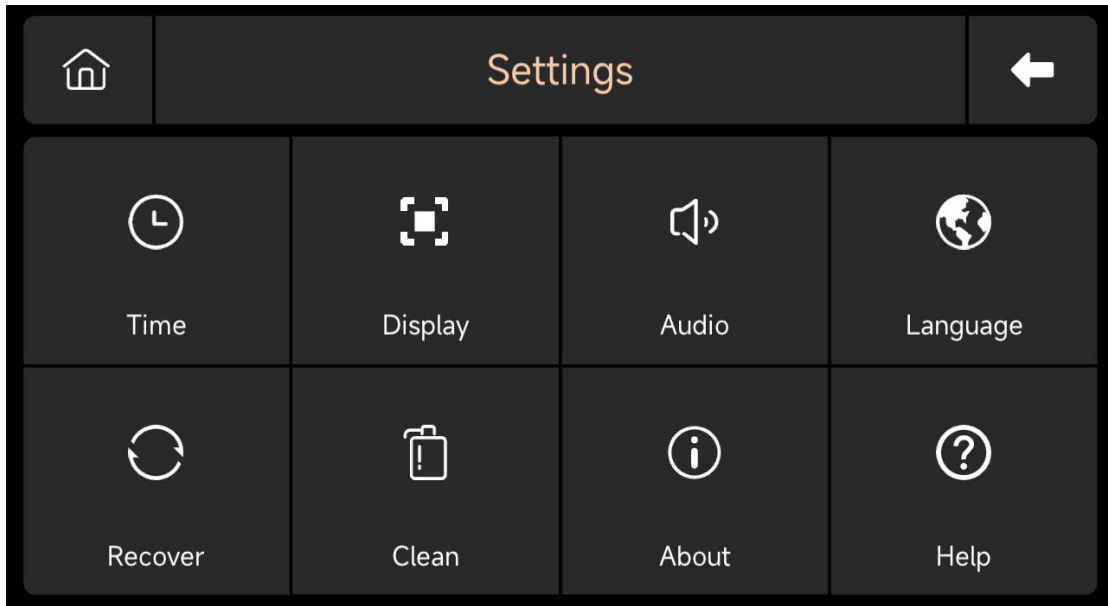
Siren Alarm: Select whether the external signal emits an alarm sound.

Siren Beep: Select whether the siren will beep when Arm/Disarm the panel.

Delay Beep: Choose whether to sound a beep when Arm or Alarm countdown.

## 4.2.4 Settings

### (1) Frame Diagram



(2) Time: Set the time and adjust the date display format.

(3) Audio: Adjust volume, turn on/off Key beep, Voice tone.

(4) Display: Set screen time and brightness.

(5) Language: English / Deutsche / Русский / Español / Italiano

Polskie/ Français / Português / Nederlands / 简体中文

(6) Recover: Restart or reset the device.

(7) Clean: The screen will be black for 1 minute, easy to clean the screen.

(8) About: Device parameter Information: Model, Version, IMEI, etc.

(9) Help: User Manual

## V. Troubleshooting and Maintenance

<b>Failure</b>	<b>The Reason</b>	<b>The Solution</b>
Remote control malfunction	<ol style="list-style-type: none"> <li>1. Low battery</li> <li>2. The metal sheet of the battery compartment is in poor contact or is corroded</li> <li>3. The code is not paired with the Main Module</li> <li>4. Does not match the wireless parameters of the panel Main Module</li> </ol>	<ol style="list-style-type: none"> <li>1. Replace the battery of the same model</li> <li>2. Remove rust and dirt from metal sheets</li> <li>3. Re-pair with the panel</li> <li>4. Purchase accessories of the same type with technical parameters</li> </ol>
Door sensor failure	<ol style="list-style-type: none"> <li>1. Low battery</li> <li>2. The metal sheet of the battery compartment is in poor contact or is corroded</li> <li>3. The code is not paired with the Main Module</li> <li>4. Does not match the wireless parameters of the Main Module</li> <li>5. The door sensor transmitter and the magnet are installed too far</li> </ol>	<ol style="list-style-type: none"> <li>1. Replace the battery of the same model</li> <li>2. Remove rust and dirt from metal sheets</li> <li>3. Re-pair with the Main Module</li> <li>4. Purchase accessories of the same type with technical parameters</li> <li>5. Install the door sensor transmitter and the magnet close to each other</li> </ol>
Motion Detector failure	<ol style="list-style-type: none"> <li>1. Low battery</li> <li>2. The metal sheet of the battery compartment is in poor contact or is corroded</li> <li>3. The code is not paired with the Main Module</li> <li>4. Does not match the wireless parameters of the Main Module</li> <li>5. Incorrect angle</li> </ol>	<ol style="list-style-type: none"> <li>1. Replace the battery of the same model</li> <li>2. Remove rust and dirt from metal sheets</li> <li>3. Re-pair with the Main Module</li> <li>4. Purchase accessories of the same type with technical parameters</li> <li>5. Adjust the installation angle</li> </ol>
Security panel does not alarm	<ol style="list-style-type: none"> <li>1. The security panel is not armed</li> <li>2. Improper installation of accessories, too far away from the Main Module</li> <li>3. The accessory code does not match the Main Module</li> </ol>	<ol style="list-style-type: none"> <li>1. Arming the panel</li> <li>2. Adjust the position of accessories</li> <li>3. Re-pair with the Main Module</li> </ol>
The signal distance of the panel receiving accessories becomes shorter	<ol style="list-style-type: none"> <li>1. The main power is disconnected, and the backup power is insufficient</li> <li>2. There is interference from similar products nearby</li> <li>3. The panel receiving module is faulty</li> </ol>	<ol style="list-style-type: none"> <li>1. Check the power supply and restore the power supply</li> <li>2. Check the source of interference and remove it</li> <li>3. Contact customer service for repair</li> </ol>
No emergency call was made when the alarm was triggered	<ol style="list-style-type: none"> <li>1. The panel is not armed</li> <li>2. No emergency phone number is set</li> <li>3. Improper installation of accessories, too far away from the Main Module</li> <li>4. Encoding does not match</li> </ol>	<ol style="list-style-type: none"> <li>1. Arming the panel</li> <li>2. Re-set according to the instructions</li> <li>3. Adjust the position of accessories</li> <li>4. Re-pair with the Main Module</li> </ol>
WiFi network configuration failed	<ol style="list-style-type: none"> <li>1. 2.4GHz WiFi is not connected</li> <li>2. The current router is not compatible with quick configuration</li> <li>3. Damaged WiFi module</li> </ol>	<ol style="list-style-type: none"> <li>1. Connect to 2.4GHz WiFi</li> <li>2. Adopt panel WiFi hotspot configuration mode</li> <li>3. Contact customer service for repair</li> </ol>
Entry opened warning is invalid	<ol style="list-style-type: none"> <li>1. Door sensor pairing error</li> <li>2. The door sensor switch code does not match the Main Module</li> <li>3. Wrong alarm type is set</li> </ol>	<ol style="list-style-type: none"> <li>1. The door opening code needs to be paired correctly</li> <li>2. The accessories are non-certified devices</li> <li>3. Set the alarm type as main door alarm and window alarm</li> </ol>

## VI. Hazardous Substance Declaration

Component Name	Harmful substance					
	Lead (Pb)	Mercury (Hg)	Cadmium (Cd)	Hexavalent chromium (Cr(VI))	Polybrominated biphenyls (PBB)	Polybrominated diphenyl ethers (PBDE)
Metal parts	O	O	O	O	O	O
Plastic parts	O	O	O	O	O	O

## VII. Warranty Rules

- (1) Please contact our after-sales service for any failure caused by the product itself during the warranty period.
- (2) The goods are guaranteed for 2 years from the date of sale, and the warranty service is only valid under normal use.
- (3) Damage caused by the use environment not meeting the requirements of this product is not covered by the warranty.
- (4) Product damage caused by man-made and force majeure is not covered by the warranty.

